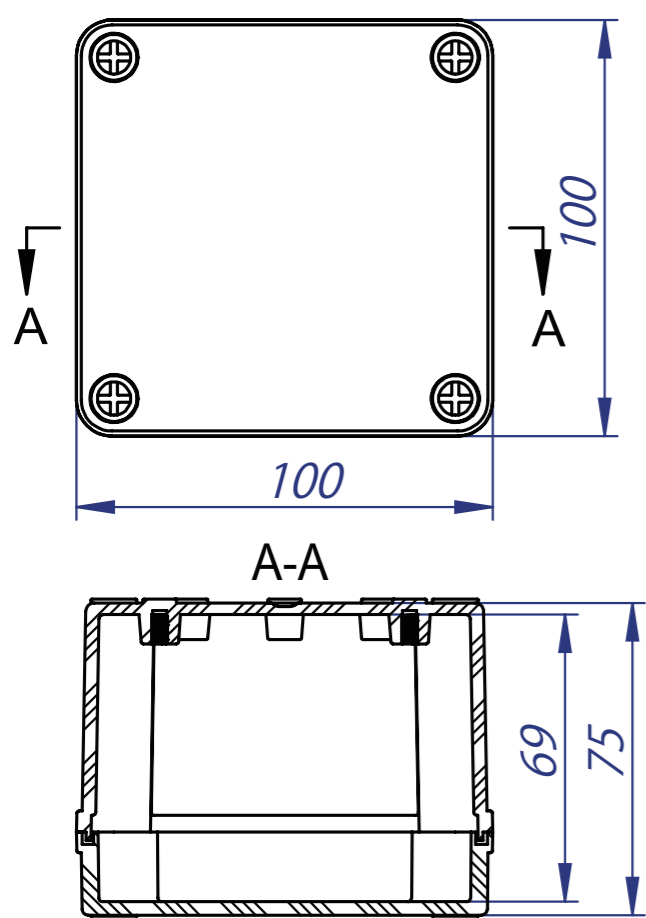
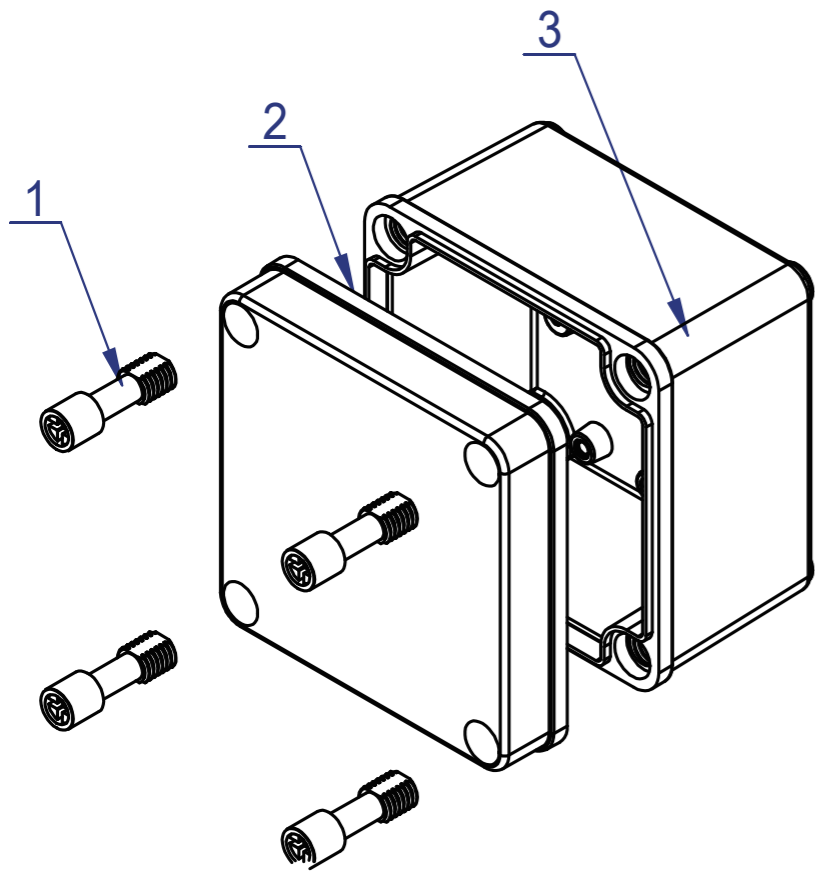
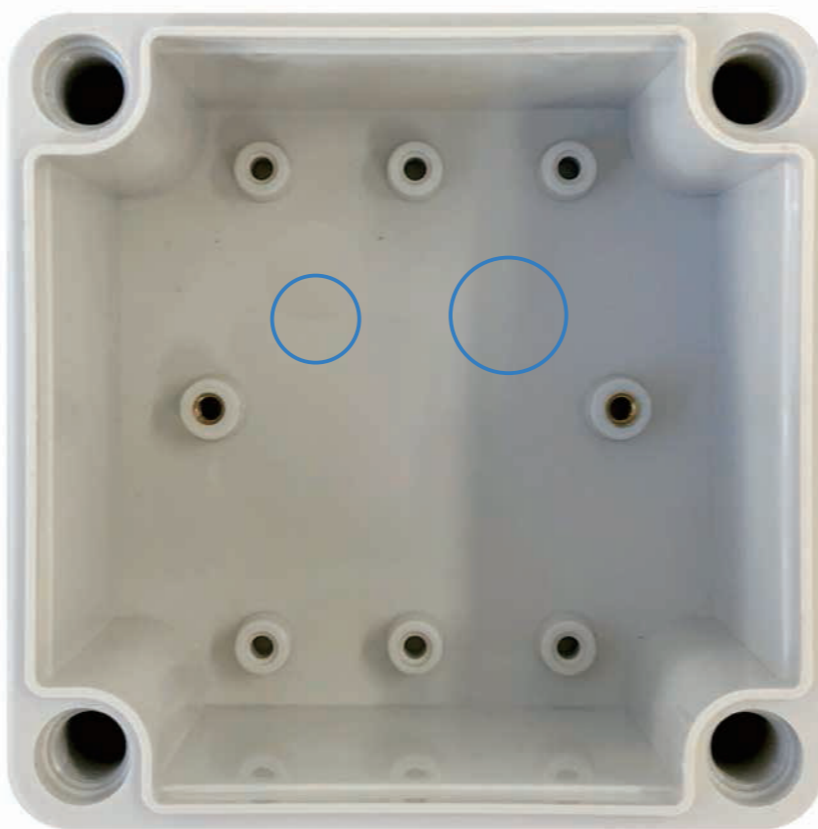
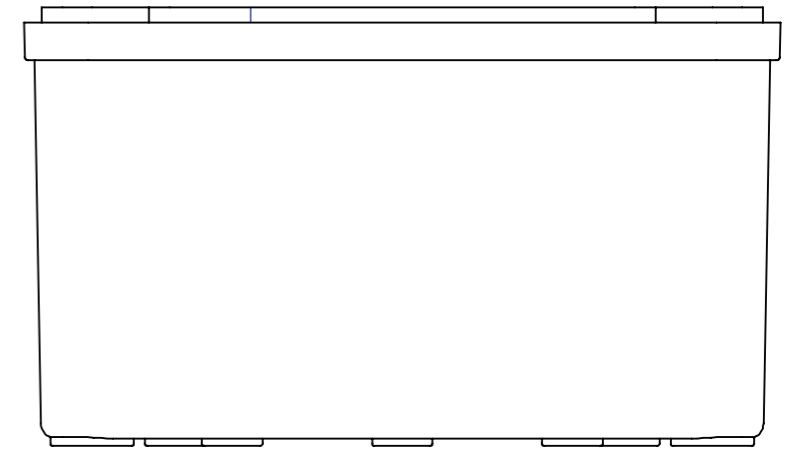
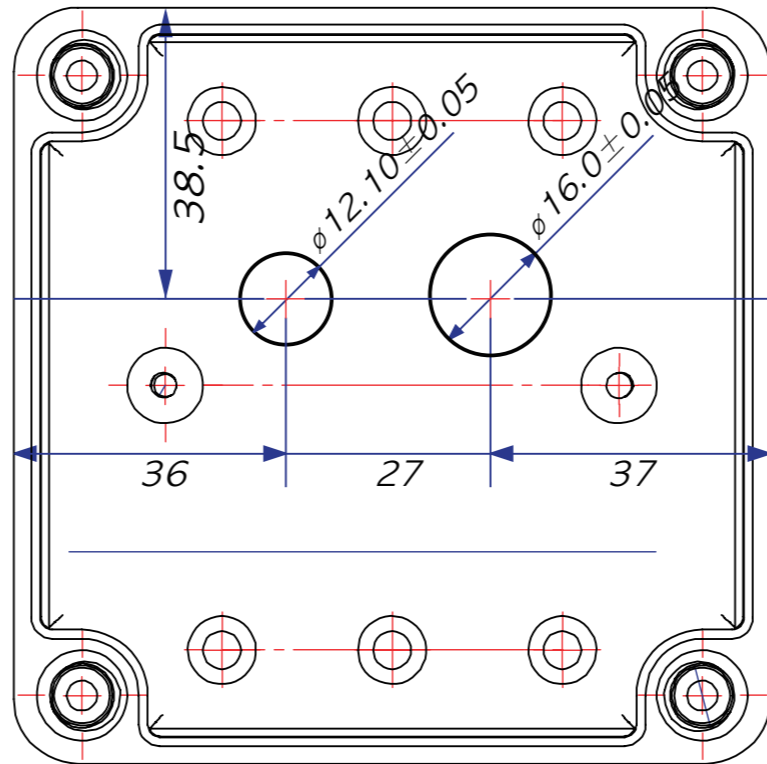
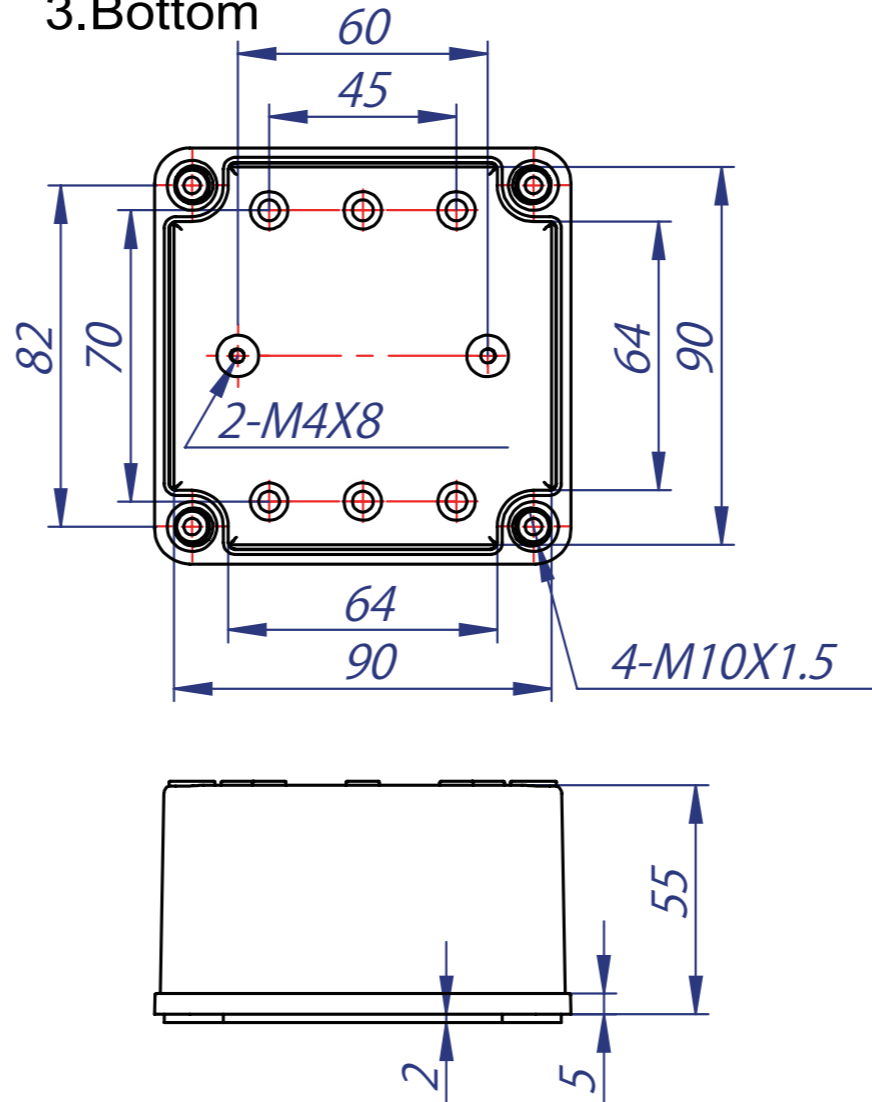


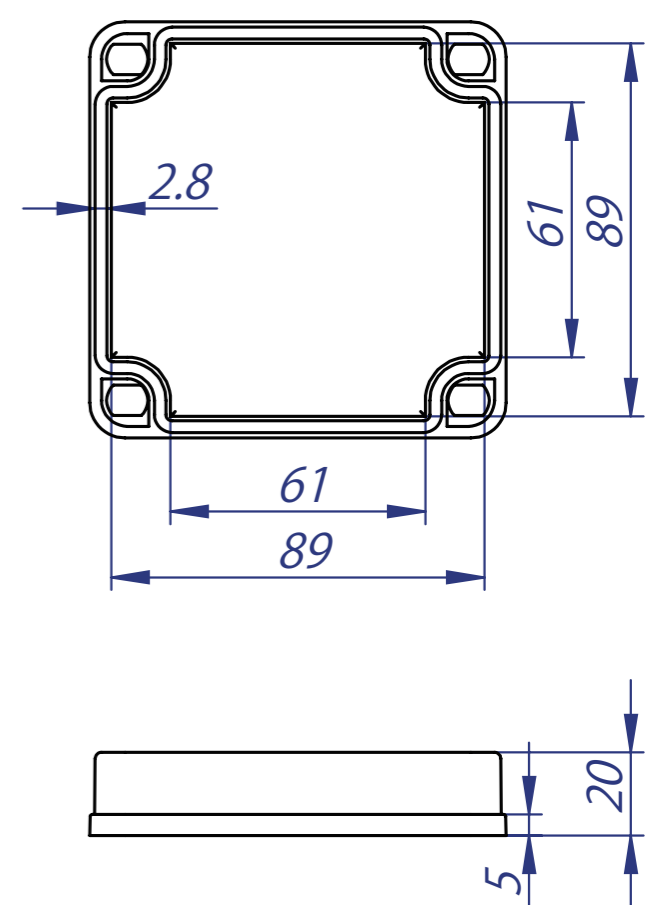
Bottom



3.Bottom



2.Upper



1.M10X1.5

